

TL-EMS-4x1-PC

Description:

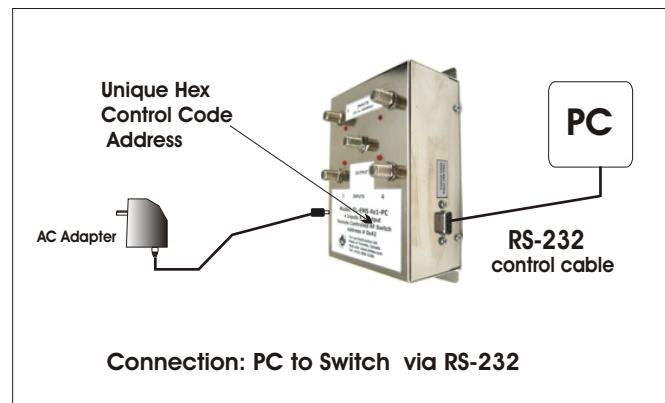
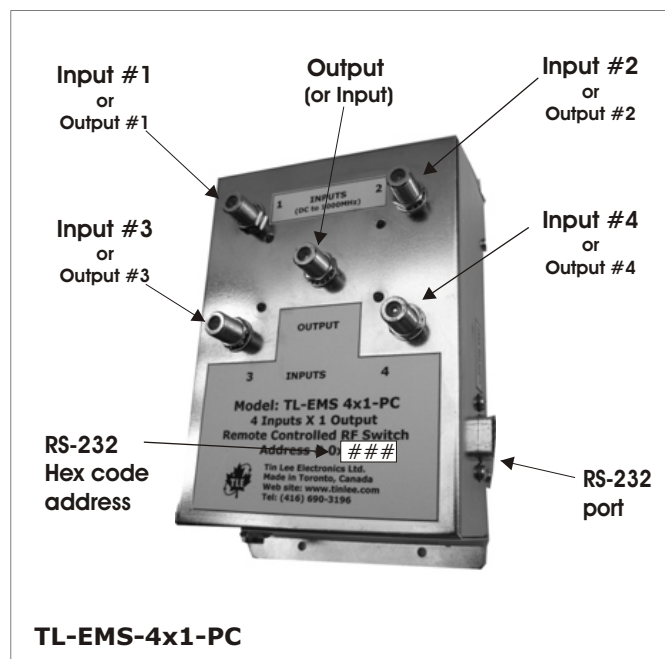
The TL-EMS-4x1-PC is an electronic RF broadband Switch Box with four inputs and one output. All ports are non-directional, therefore, the switch can be used as one Input with four outputs. Switch control is via RS-232 port, for connection to computer. RS-232 control code is provided to User to create computer control instructions.

Features:

- Bandwidth DC to 1000 MHz (option DC-1500 Mhz)
- Port to Port isolation: >55 dB
- Switching speed: 20 mS
- LEDs indicate input port selection
- Unique Hex Control Code address
- Two year limited warranty
- Available in 75 ohms (F). Option: 50 ohms (BNC)

TL-EMS-4x1-PC basic package

1. One TL-EMS-4X1 Switch
2. One +9 V DC Power adapter (UL certified)
3. RS-232 control code
4. RF frequency response graphs



Product Specifications

Bandwidth and Flatness	DC-1000 MHz; +/- 1 dB (Option DC -1500 MHz BW)
Number of Ports	4 Inputs and 1 Output (non- directional)
Maximum Input Signal Level	5 watt
Insertion Loss (Input-Output)	1 dB
Port to Port Isolation	> 55 dB (50 dB, 50 ohms version)
Port Termination	75 ohms (nominal) (option: 50 ohms)
Input Return Loss;	>15 dB
Output Return Loss:	>15 dB
RF Connectors, Impedance	F-type, 75 ohms (std). Option: BNC-type, 50 ohms
Serial Port	DB9 (9-PIN) connector
Operating Power	9 V DC (Power Adapter Incl.)
Power Consumption	0.25 Watt
Remote Control:	User defined via RS-232 port
Max. DC Power to Switch	0.25 Watt
Switching Speed	20 ms
Dimensions (in):	6.5L x 3H x 4W